

# 1NT Series 1/2" Disc Thermostats



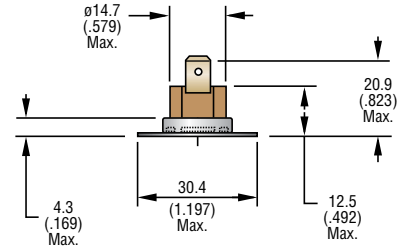
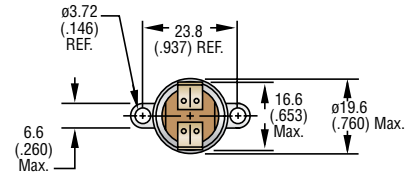
## FEATURES

- Bi-metal disc, factory pre-set
- Switch Actions:
  - Automatic reset: Available with both normally open and normally closed switch logic
  - Manual reset: Mechanically resettable device
  - Trip free manual rest: UL M2 class rating that resists consumer tampering
- Variety of accessories and mounting options
- Compact dimensions, high load capacity
- High operating speed
- Current insensitive

## APPLICATIONS

- Vending machines
- Microwave ovens
- Electric space heaters
- Overhead projectors
- Hair care appliances
- Clothes dryers
- Audio speakers
- Copiers
- Refrigeration compressors
- Food processing equipment
- Toasters
- Coffee makers
- Vacuum cleaners
- Medical equipment
- Dishwashers
- Gas furnace protection
- Power supplies
- Communications equipment
- Welding equipment

Thermtrol offers The Klixon® line of 1NT fixed temperature thermostats. Approved by numerous testing agencies, all 1NT thermostats pass a series of rigorous quality control checks including continuity, function, contact resistance and dielectric strength. Excellent multipurpose thermostat available in both automatic reset and push button manual reset configurations. A wide range of operating temperatures, as well as a small size and a variety of physical configurations, permit the flexibility to meet your specific needs.



## Auto Reset Construction

Options shown: Vertical 1/4" Q.C. Terminals and Surface Mount Flange



## Manual Reset Construction

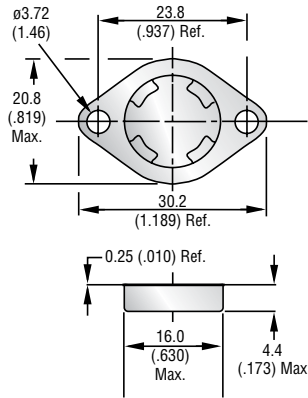
Options shown: Horizontal 1/4" Q.C. Terminals and Airstream Mount Flange

All dimensions mm (in.) Klixon® is a registered trademark of Texas Instruments, Inc.

## Mounting Options

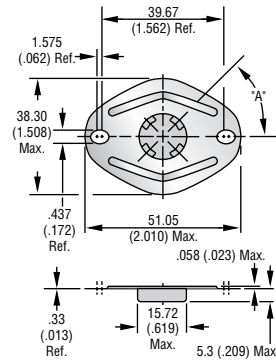
### Airstream Mount Flange Cup

Code: AM Material: Aluminum



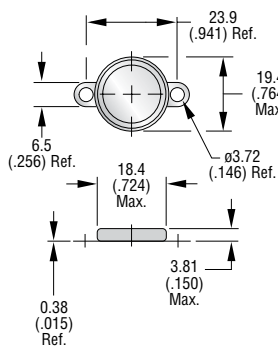
### Large Oval Integral Cup

Code: LO Material: Aluminum



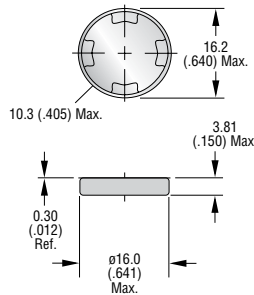
### Loose Ear Surface Mount Flange

Code: SM Material: Aluminum



### Flat Cup

Code: FC Material: Aluminum

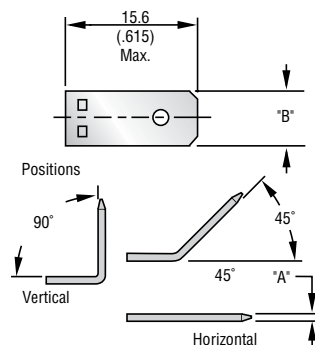


## Terminal Options

### Quick Connects

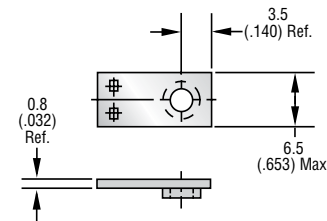
Material: Brass, Tin Plated

	1/4"	3/16"
Thickness (A):	0.8 (.031)	0.5 (.020)
Width (B):	6.3 (.250)	4.8 (.187)
<b>Orientation</b>	<b>Codes</b>	
Vertical	4V	3V
Horizontal	4H	3H
45°	4A	3A



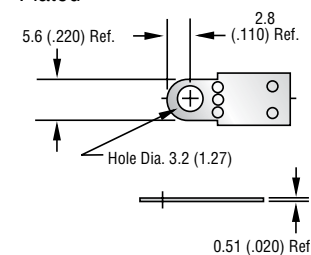
### Screw Terminals

Code: SC Material: Steel, Nickel Plated  
M3 x 0.5 Class 6H Thread



### Solder Terminals

Code: ST Material: Brass, Tin Plated



10A Max. on all terminals 0.5mm (0.020") thick.

## Electrical Ratings and Selected Agency Approvals

Model Type	Cycles (X 1000)	Electrical Rating	Max. Temp. (°C)	Agency
1NT01	100	120 Vac / 15 Amps	204	UL / CSA
		240 Vac / 10 Amps		
		277 Vac / 7.2 Amps		
	30	250 Vac / 16 Amps	175	VDE
100	250 Vac / 10 Amps			
30	380 Vac / 4 Amps			
50	12/24 Vdc / 25 Amps	-	-	
1NT08	1 + 5	240 Vac / 25 Amps	204	UL / CSA
1NT15L	6	250 Vac / 16 Amps	175	VDE
		380 Vac / 4 Amps		
1NT11	100	125 Vac 30Vdc / 50mAmps - 1Amp	204	UL / CSA
1NT12L				
1NT15L				

## Agency File Numbers

E9977	LR53590	4464.9-4510-1105	C0166
-------	---------	------------------	-------

The 1NT Series has approvals through nine listing agencies. If you require information on an agency not listed, please contact Thermtrol for the latest information.

## Standard Tolerances: Manual Reset

Set Temperature		Open Tolerance	
°C	°F	°C	°F
0-60	32-140	+/-4.0	+/-7.5
61-160	141-320	+/-5.0	+/-9.0
161-204	321-399	+/-6.0	+/-11.0

## Standard Temperature Differential and Tolerances: Automatic Reset

Set Temperature		Differential		Open Tolerance		Close Tolerance	
°C	°F	°C	°F	°C	°F	°C	°F
0-93	32-199	11	20	+/-3.0	+/-5.5	+/-4.0	+/-7.5
94-121	200-249	11	20	+/-3.5	+/-6.5	+/-4.5	+/-8.5
122-149	250-300	14	24	+/-4.0	+/-7.5	+/-5.5	+/-10.0
150-204	301-399	14	24	+/-5.0	+/-9.0	+/-7.0	+/-13.0

## Numbering System (for requesting samples only)

1NT	08	L	3H	AM	199°C
-----	----	---	----	----	-------

### Contact Type

01	Automatic Reset, Silver Contacts
11	Automatic Reset, Gold Contacts**
08	Manual Reset, Silver Contacts
12	Manual Reset, Gold Contacts**
15	Trip Free MR*, Silver Contacts
19	Trip Free MR*, Gold Contacts**

\*MR = Manual Reset  
\*\*Gold contacts are applicable for circuits from 50mA to 1AMP

### Contact Configuration

L	Normally Closed, Open on Rise
F	Normally Open, Close on Rise

F contacts not applicable for Manual Reset devices.

### Mounting Options

FC	No Mounting Provision, Flat Cup
AM	Airstream Mount Integral Flange
SM	Surface Mount Flange, Loose Ear
LO	Large Oval Airstream Mount Integral Flange

Other mounting types available.

### Terminal Options

<b>3/16" Quick Connects</b>	
3V	Vertical
3H	Horizontal
3A	45°
<b>1/4" Quick Connects</b>	
4V	Vertical
4H	Horizontal
4A	45°
<b>Other</b>	
ST	Solder Terminals
SC	Screw Terminals

Other terminal types available.

**Set temperature -**  
select in increments of 1°C from 0°C to 204°C

All dimensions mm (in.)