

GT20 Series Moisture Resistant Disc Thermostats

FEATURES

- Bi-metal disc, factory pre-set
- Automatic reset: Available with both normally open and normally closed switch logic
- Variety of accessories and mounting options
- Compact dimensions, high load capacity
- High operating speed
- Current insensitive
- Moisture resistant

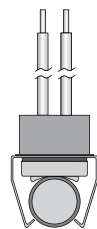
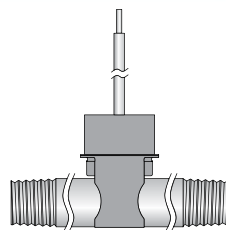
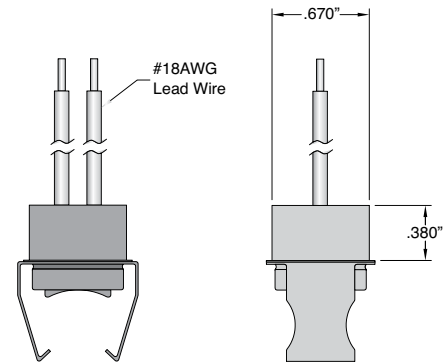
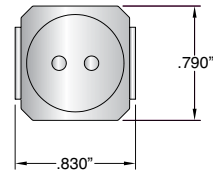
APPLICATIONS

- Hydronic fan coils:
- Humidifier
- Dehumidifier
- HVAC
- Major appliances
- Medical/lab equipment
- Vending machines
- Electric space heaters
- Hair care appliances
- Audio speakers
- Copiers
- Refrigeration compressors
- Commercial food equipment
- Vacuum cleaners
- Medical equipment
- Gas furnace protection
- Welding equipment

Thermtrol offers the GT20 line of 1/2" disc fixed temperature thermostats. Approved by numerous testing agencies, all GT thermostats pass a series of rigorous quality control checks including continuity, function, contact resistance and dielectric strength. Excellent multipurpose thermostat with a moisture resistant body. A wide range of operating temperatures permit the flexibility to meet your needs.

Auto Reset Construction

Options shown: 1/2" diameter pipemount. Lead wires.



Typical pipe mount installation.

Numbering System (for requesting samples only)

GT	20	N	L	W	RE	60
----	----	---	---	---	----	----

Contact Type

20	Automatic Reset
----	-----------------

Contact Material

N	Silver Nickel Alloy
---	---------------------

Contact Configuration

L	Normally Closed, Open on Rise
F	Normally Open, Close on Rise

Terminal Options

W	6" #18AGW Black PVC lead wire. UL1007
---	---------------------------------------

Custom lead lengths available upon request.

Mounting Options

FC	No Mounting Provision, Flat Cup
AM	Airstream Mount Integral Flange
SM	Surface Mount Flange, Loose Ear
ST	8-32 Stud Mount
RM	1/4" - 5/16" OD Pipe Mount
RJ	3/8" OD Pipe Mount
RE	1/2" OD Pipe Mount
RK	5/8" OD Pipe Mount
RL	3/4" - 7/8" OD Pipe Mount

Set temperature - select in increments of 1°C from 0°C to 80°C

Electrical Ratings and Selected Agency Approvals

Model Type	Cycles (X 1000)	Electrical Rating	Max. Temp. (°C)	Agency
GT20	100	120 Vac/15 Amps 240 Vac/10 Amps 125 Vac/7.5 Amps IND.	80°C	UL E201152

Standard Temperature Differential and Tolerances: Automatic Reset

Set Temperature		Differential		Open Tolerance		Close Tolerance	
°C	°F	°C	°F	°C	°F	°C	°F
0-80	32-176	10	18	+/-3	+/-5.4	+/-7.0	+/-13.0