

# GT43 Series Disc Thermostats

## FEATURES

- Bi-metal disc, factory pre-set
- Automatic reset: Available with both normally open and normally closed switch logic
- Variety of accessories and mounting options
- Compact dimensions, high load capacity
- High operating speed
- Current insensitive
- ROHS Compliant

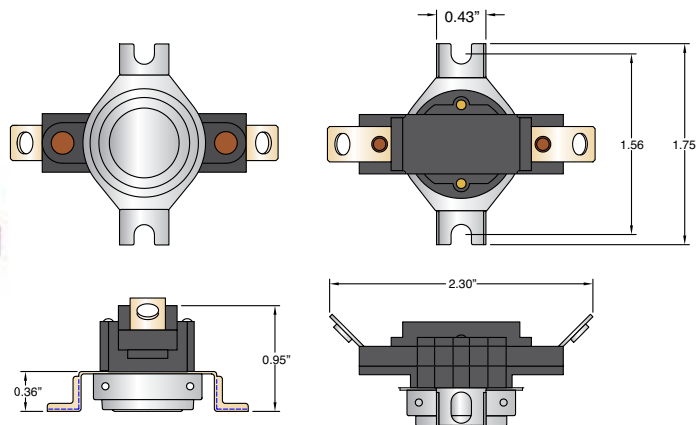
## APPLICATIONS

- HVAC
- Major appliances
- Medical/lab equipment
- Vending machines
- Electric space heaters
- Overhead projectors
- Hair care appliances
- Audio speakers
- Copiers
- Refrigeration compressors
- Commercial food equipment
- Vacuum cleaners
- Medical equipment
- Gas furnace protection
- Power supplies
- Communications equipment
- Welding equipment

Thermtrol offers the GT43 line of 3/4" disc fixed temperature thermostats. Approved by numerous testing agencies, all GT thermostats pass a series of rigorous quality control checks including continuity, function, contact resistance and dielectric strength. Excellent multipurpose thermostat with increased contact capacity. A wide range of operating temperatures permit the flexibility to meet your needs.

## Auto Reset Construction

Options shown: Vertical 1/4" Q.C. Terminals and Surface Mount Flange



Electrical Ratings and Selected Agency Approvals				
Model Type	Cycles (X 1000)	Electrical Rating	Max. Temp. (°C)	Agency
GT43	100	250 Vac/25 Amps 480 Vac/13 Amps	150°C	UL E201152

Standard Temperature Differential and Tolerances: Automatic Reset							
Set Temperature		Differential		Open Tolerance		Close Tolerance	
°C	°F	°C	°F	°C	°F	°C	°F
0-119	32-246	10	18	+/-3	+/-5.4	+/-7.0	+/-13.0
120-150	248-302	10	18	+/-5	+/-9	+/-7.0	+/-13.0

**Numbering System (for requesting samples only)**

GT43 **1** **1** **3** **2** **5** **090** **85**

Contact Configuration	
1	Normally Closed, Open on Rise
2	Normally Open, Close on Rise

Body Material	
1	Phenolic

Cap	
0	Open
3	Closed

Terminal Options	
1	1/4" QC Terminal Flat
2	1/4" QC Terminal 45 Degrees
3	1/4" QC Terminal Vertical
6	8-32 Screw Thread Flat
7	8-32 Screw Thread 45 Degrees

Mounting Options	
0	None
5	Airstream Mount
N	Surface Mount

Terminal to Bracket Orientation	
000	0° from Terminals
045	45° from Terminals
090	90° from Terminals

**Set temperature** - select in increments of 1°C from 0°C to 150°C.

Manual Reset version also available. Contact Thermtrol for details.