


# TS Series Bulb & Capillary Thermostats

## FEATURES

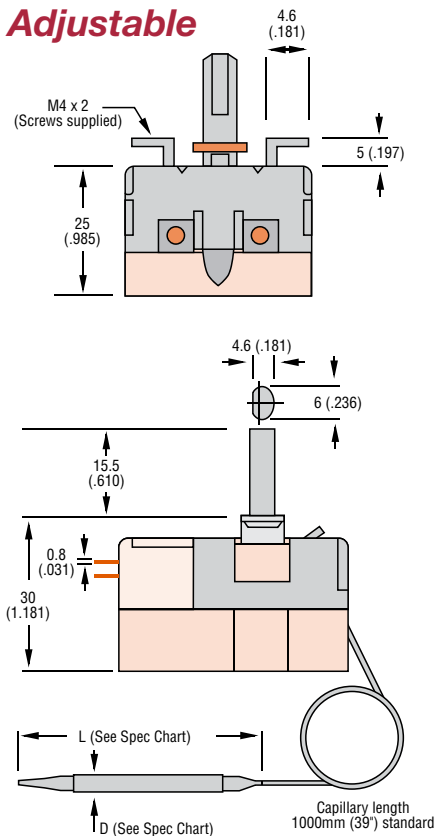
- Temperature range: -30°C (-22°F) through 320°C (608°F)
- Durable stainless steel construction
-  rated for:
  - NC contacts 16A @ 250V
  - NO contacts 10A @ 250V
- S.P.D.T. contacts are standard
- Standard capillary length of 39" (1,000 mm); other lengths special order
- Supplied complete with adjustment knob, bezel & mounting screws
- All adjustable models available special order with screw adjustment instead of knob
- All models available with bushing for sealing
- Fixed temperature and fixed temperature with manual reset versions available
- Special high-pressure (HP) versions available

## APPLICATIONS

- Food service equipment
- Mold platens
- Electric heaters
- Refrigerators and freezers
- Test pots & temperature control chamber
- Livestock warmers
- Agricultural equipment
- Environmental controls
- Vending machines
- Electric & gas ovens

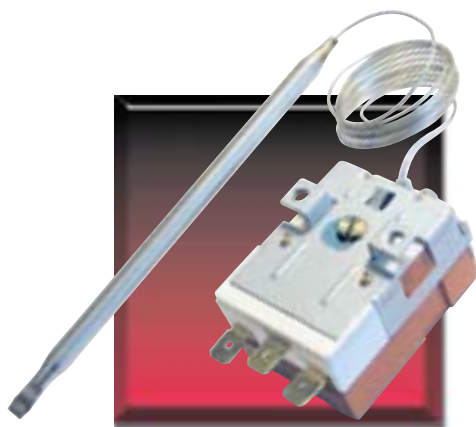
Thermtrol offers the versatile TS Series of adjustable bulb and capillary thermostats suitable for applications requiring variable temperature setting ability and remote control. The TS Series design incorporates a changeover thermal switch and an auxiliary switch useful for fan control or alarm signal. A variety of available features, a large in-stock inventory, and a surprisingly low price combine to make the Thermtrol TS Series an excellent value.

### TS Adjustable

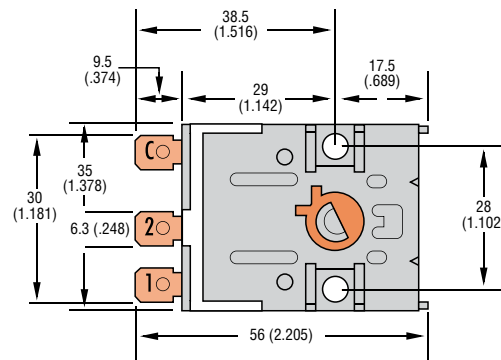


### TS Adjustable, Automatic Reset

Shown with knob adjustment



### TSF Fixed Temperature, Automatic Reset



All dimensions mm (in.)

## Specifications of Standard Models Available From Stock

Model	Temperature Range		Tolerance		Differential		Bulb Dia. "D"		Bulb Length "L"		Max. Bulb Temp.	
	°C	°F	°C	°F	°C	°F	mm	inch	mm	inch	°C	°F
TS-030S	-30 to 30	-22 to 86	±3	±5.4	4 ± 2	7.2 ± 3.6	5.8	0.23	125	4.92	50	122
TS-050S	0 to 50	32 to 122	±3	±5.4	4 ± 2	7.2 ± 3.6	5.8	0.23	125	4.92	65	149
TS-080S	0 to 80	32 to 176	±4	±7.2	4 ± 2	7.2 ± 3.6	5.8	0.23	117	4.61	100	212
TS-090S	0 to 90	32 to 194	±4	±7.2	4 ± 2	7.2 ± 3.6	5.8	0.23	117	4.61	120	248
TS-120S	0 to 120	32 to 248	±4	±7.2	4 ± 2	7.2 ± 3.6	5.0	0.20	101	3.98	140	284
TS-200S	0 to 210	32 to 410	±10	±18	10 ± 5	18 ± 9	5.0	0.20	61	2.40	300	572
TS-320S	50 to 320	122 to 608	±10	±18	10 ± 5	18 ± 9	3.0	0.12	170	6.69	370	698

Maximum case temperature is 80°C.  
Inquire for ceramic case device. Ceramic case rated to 150°C.

### Agency File Numbers

E173663	LR115853	120125
---------	----------	--------



## TSR Fixed Temperature, Manual Reset

### Numbering System (For Requesting Samples Only)

TS	—	030	—	S	—	F
----	---	-----	---	---	---	---

Model Type	
TS	Adjustable, Automatic Reset
TSF	Fixed Temperature, Automatic Reset
TSR	Fixed Temperature, Manual Reset

Bulb & Capillary Material	
S	Stainless Steel (Standard)
C	Copper (Special)

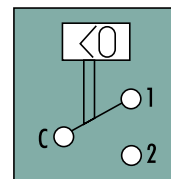
Adjusting Provision <i>(applicable to Adjustable devices only)</i>	
Knob	
C	Centigrade Knob
F	Fahrenheit Knob
Screw	
S	Screw Adjustment

Temperature Code		
Adjustable		
	Centigrade °C	Fahrenheit °F
030	-30 to 30	-22 to 86
050	0 to 50	32 to 122
080	0 to 80	32 to 176
090	0 to 90	32 to 194
120	0 to 120	32 to 248
200	0 to 210	32 to 410
320	50 to 320	122 to 608

OR

Fixed	
Select from range of 1°C to 350°C in 1°C increments.	
Examples:	
001	1°C (Minimum)
350	350°C (Maximum)

Agency approvals apply to 320°C max. only



S.P.D.T.  
Contact  
Configuration

Note: All automatic reset samples will be supplied with 1000mm capillary and S.P.D.T. contact configuration unless otherwise specified. Manual reset devices will be supplied in S.P.S.T. contact configuration (S.P.D.T. is not available). Order stuffer bushings, and other special requests by description.



### Specifications of High Pressure Bulb Models Available From Stock

Part Number	Temperature Range		Tolerance		Differential		Bulb Dia. "D"		Bulb Length "L"		Max. Bulb Temp.	
	°C	°F	°C	°F	°C	°F	mm	inch	mm	inch	°C	°F
TS-090S-HP	0 to 90	32 to 194	±4	±7.2	4 ± 2	7.2 ± 3.6	6.4	0.26	120	4.73	120	248
TS-120S-HP	0 to 120	32 to 248	±4	±7.2					87	3.43	140	284
TS-150S-HP	30 to 150	80 to 302	±8	±14.4					85	3.35	200	392

- Brass 1/2" NPT stuffer bushing standard
- 1825mm (72") capillary standard
- Protective plastic coating on capillary standard
- Supplied with Black Fahrenheit Knob
- Maximum pressure is 7500 p.s.i.

Maximum case temperature is 80°C.

## TS Adjustable with High Pressure Bulb